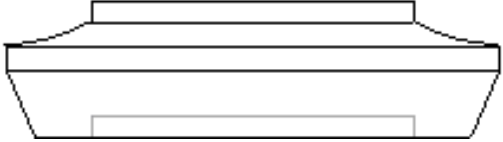
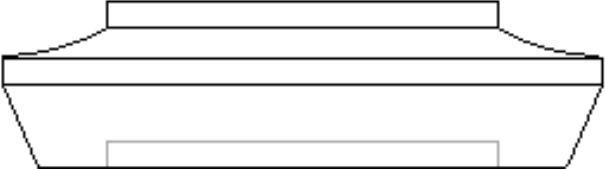
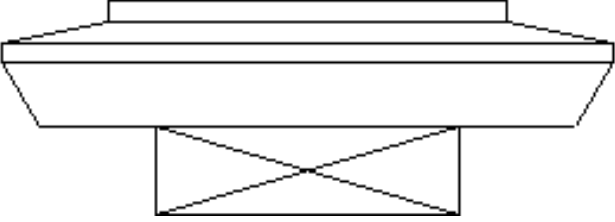
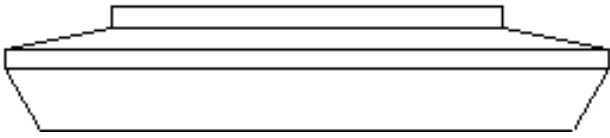
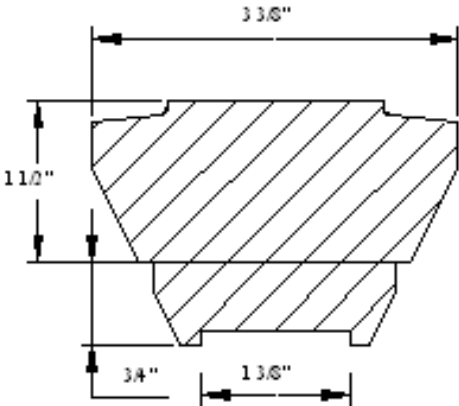


Cad Drawings & Prices

The "Tulip Street" Collection

Ipe (Ironwood - Pau Lope)- Brazilian Redwood - Mahogany- Other species possible on demand

Cad Drawing Profile	Description	Price
	<p>Recessed Bottom post cap 1-1/2" thick and 5-3/8" square - with 5/16" recess to slip over post. Fits 3-1/2" posts. PL-Premium adhesive is used for attaching.</p>	<p>1 -12 = \$21.00 over 12 = \$20.00</p>
	<p>Recessed Bottom post cap 1-1/2" thick and 7" square - with 5/16" recess to slip over post. Fits Solid 5-1/2" posts.</p>	<p>1 -12 = \$26.00 over 12 = \$24.50</p>
	<p>Pocket Block Bottom Post Caps Used for wrapped posts where you leave the 4x4 treated post lower then the wrapping materials so that there is a hollow or recess under the cap. A 1" x 3-1/2" x 3-1/2" Ipe block will be glued and nailed on the bottom of the cap so that it fits into the recess. Usually no gluing or nailing is needed for mounting these caps, just insert them into the pocket. Easiest install, also useful for storing wiring for future post lights in the recess.</p>	<p>1 -12 = \$28.00 over 12 = \$26.50</p>
	<p>Flat bottom caps - no recess post caps for wrapped posts where the 4x4 inner post comes up flush to the top of the wrapping.</p>	<p>1 -12 = \$25.00 over 12 = \$23.50</p>
	<p>Tulip Street hand rail with included sub rail. Available in 4' - 6' - 8' lengths.</p>	<p>All railing, posts, balluster pricing upon request. Please email me.</p>

