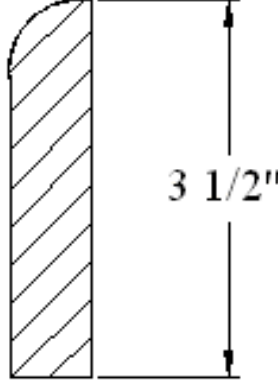
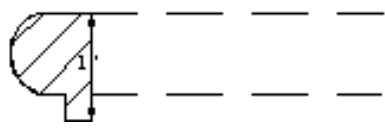
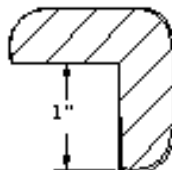
	<p>Easy Street post bottom shoe moulding. Lineal footage used to Mitre around the post bottom to cover seam of decking against the post and any other gaps. Allow 2 lft for each post.</p>	<p>All railing, posts, balluster pricing upon request. Please email me.</p>
	<p>Easy Street post bottom base moulding skirts the bottom of the post for a more finished look. Allow 2 lft for each 4x4 post.</p>	<p>All railing, posts, balluster pricing upon request. Please email me.</p>
	<p>Easy Street design step nosing. Similar to a rounded over nosing for stair treads but with a touch of the Tulip Street design.</p>	<p>All railing, posts, balluster pricing upon request. Please email me.</p>
	<p>Easy Street outside corner for whatever.</p>	<p>All railing, posts, balluster pricing upon request. Please email me.</p>

All deck components are sanded or planed smooth looking more like a piece of furniture than lumberyard decking. All decking, handrail, bottom rail, subrail, and balluster 'ends' should be clear sealed with [Anchor Seal](#) as soon as possible after finish cutting or installing to help prevent splits and checks. Although we try to minimize them, splits and checks are inherent in all hardwood species and not considered to be defective. All items can be stained and finished. I recommend [Penofin](#) brand products for all hardwood decks.

JrMillwork's reserves the right to change prices, modify component designs, shapes, and sizes. We will try to keep the website current with the latest designs and prices.

All images and text ©2006 Postcaps and Railings . All Rights Reserved.